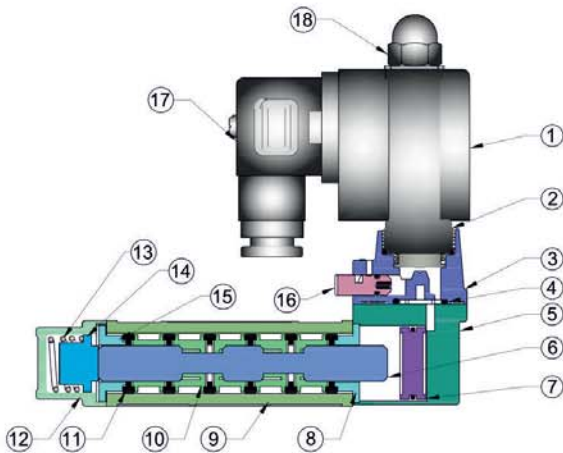


5/2 Way Single Solenoid Valve



No.	Part Name	Material
1	Coil	Std. Material
2	Armature Assembly	S. Steel
3	Armature Jet Body	Zinc Pressure Die Cast
4	'O' Ring	Hi - Nitrile
5	Top Cover	Zinc Pressure Die Cast
6	Spool	EN8 Hardchrome Plated
7	Piston	Aluminum
8	Collar Washer	Polyacetal
9	Body	Aluminum Pressure Die Cast
10	Cage	Polyacetal
11	'T' Ring	Hi - Nitrile
12	End Cover	Aluminum Pressure Die Cast
13	Spring	S. Steel
14	Stopper	Aluminum
15	Collar Washer	Polyacetal
16	Push Button	Brass
17	Connector	DIN 43650A
18	Cap Nut	Steel Nickle Plated

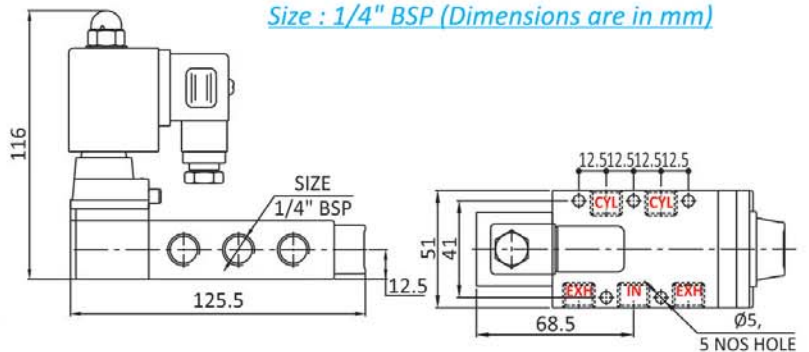
Features

- ▶▶ Heavy & Durable design.
- ▶▶ Aluminum Die Cast Standard Grade with Powder Coating.
- ▶▶ Hard Chrome Plated spool for rust free smooth and long life cycle.
- ▶▶ Coil - Continuous duty low power consumption, CIMFR & CE Approved.
- ▶▶ Superior High Grade Seals
- ▶▶ Simple design easy to maintenance
- ▶▶ Manual Operator Push, Rotate & Lockable type.

Technical Specification

Model	2ARMSS - 302	2ARMSS - 304
Size	1/4"	1/2"
Orifice	6.5	12.5
Design	Spool type, Internal Pilot Operated (External Pilot On Request)	
Pressure	2.5 to 10 Kg/cm ²	
Temperature	80 °C	
Leakage	Bubble Tight	
Duty Cycle	Continuous Rated	
Protection	IP 65 [Flameproof / Explosion Proof As Per IS / IEC 60079 - 1 Standard Approved by Central Institute of Mining and Fuel Research (CIMFR)]	
Connector	DIN 43650 A	
Response Time	15 msec ON / 25 msec OFF	
Coil Voltage	12V, 24V, 48V, 110V, 230V, (AC / DC) 50 / 60 Hz (Non Std. Voltage Available On Request)	
Media	Compressed Air (Filtered & Lubricated)	
Flow (NLPM) at 5 BAR	1100	3000
Weight (Kg)	0.710	1.215

Size : 1/4" BSP (Dimensions are in mm)



Size : 1/2" BSP (Dimensions are in mm)

