

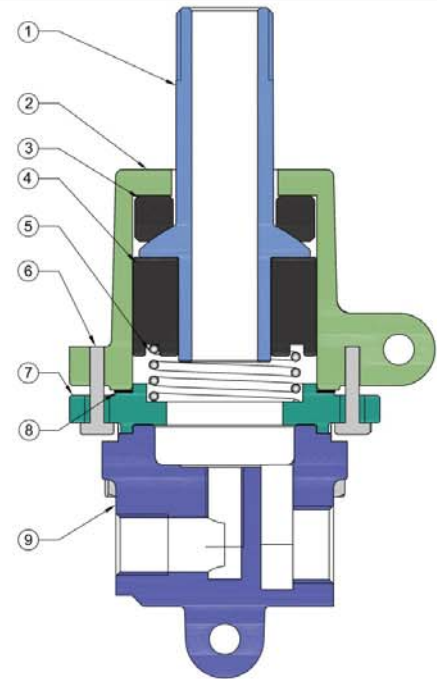
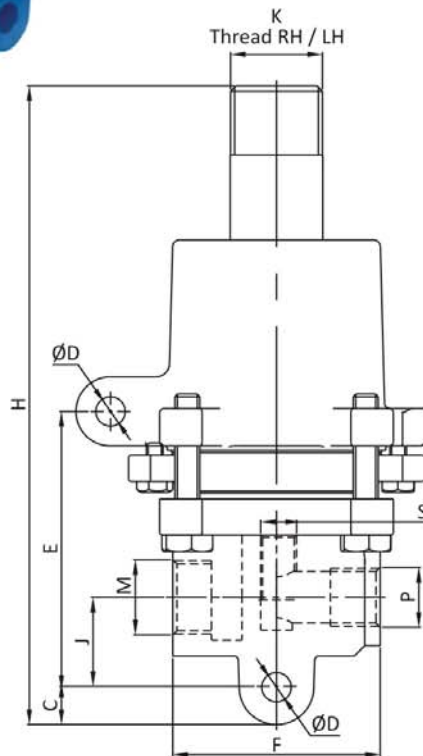


Features

- ▶▶ Design for steam applications.
- ▶▶ Optimized seal diameter.
- ▶▶ Convex seal ring in compression.
- ▶▶ Adjusting syphon clearance option.

Technical Specification

Model	AXS
Size	1/2", 3/4", 1", 1.1/4", 1.1/2" & 2"
Pressure	Upto 10 Kg/cm ²
Temperature	Upto 180 °C
Leakage	Bubble Tight
RPM	200 Max.
Media	Only for Steam



No.	Part Name	Material
1	Shaft	EN 8
2	Body Top	Cast Iron
3	Seal Ring	Carbon
4	Carbon Bush	Carbon
5	Spring	S. S. 304
6	Hex Bolt	Standard
7	Cover Plate	Cast Iron
8	Gasket	C.A.F.
9	Connection Body	Cast Iron

Dimensions :

(All Dimensions are in mm)

MODEL	SIZE	K (BSP) Rotor Connection	C	E	H	J	M BSP	P BSP	S BSP	ØD	F	Weight (Kg.) Approx.
AXS - 15	1/2"	1/2"	7.5	85	160	21	1/4"	1/4"	1/8"	6.5	53	1.700
AXS - 20	3/4"	3/4"	12.5	105	207	29	1/2"	1/2"	1/4"	9.5	69	3.150
AXS - 25	1"	1"	13.5	103	232	29	3/4"	1/2"	1/4"	10	75	3.800
AXS - 32	1.1/4"	1.1/4"	15	120	263	36	1"	1/2"	1/2"	14	84	5.400
AXS - 40	1.1/2"	1.1/2"	17	140	305	44	1.1/4"	3/4"	3/4"	14	107	9.500
AXS - 50	2"	2"	16	145	340	49	1.1/2"	3/4"	3/4"	14	114	10.800