

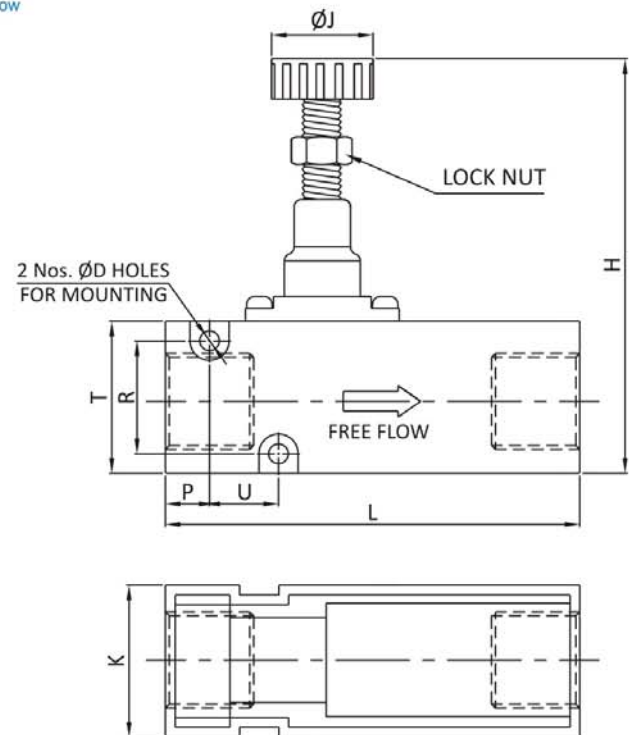
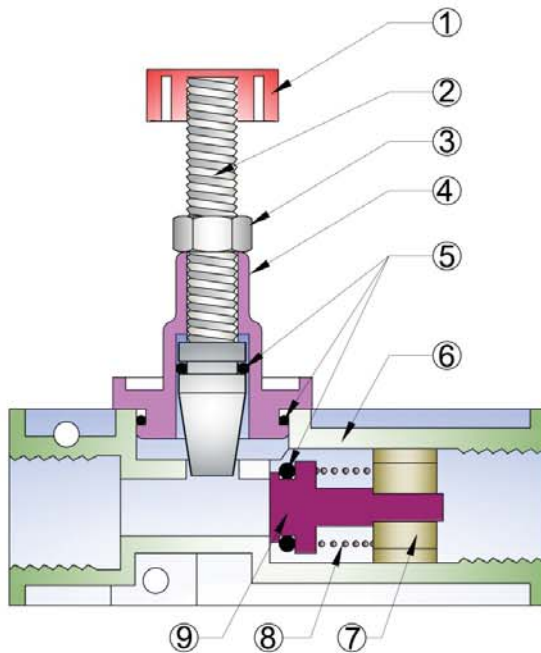
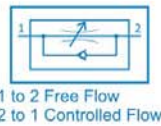
Flow Control Valve

Features

- ▶▶ Aluminum Pressure Die Cast Body
- ▶▶ Light Weight
- ▶▶ Universal Mounting Design
- ▶▶ Easy to Maintenance

Technical Specification

Model	RMFCV - 1	RMFCV - 2	RMFCV - 3	RMFCV - 4	RMFCV - 5
Size	1/4"	3/8"	1/2"	3/4"	1"
Orifice	6.5	10	12.5	19	25
Design	Needle Type,				
Pressure	10 Kg/cm ²				
Temperature	80 °C				
Leakage	Bubble Tight				
Media	Compressed Air (Filtered & Lubricated)				
Flow (NLPM) at 5 BAR	1050	1250	3000	5000	9000
Weight (Kgs.)	0.110	0.120	0.230	1.480	1.080



No.	Part Name	Material
1	Knob	Nylon
2	Needle Pin	Brass
3	Check Nut	Brass
4	Bonnet	Zinc Pressure Die Cast
5	'O' Ring	NBR
6	Body	Aluminum Pressure Die Cast
7	Stopper	Nylon / Polyacetal
8	Spring	S. Steel
9	Valve Pin	Polyacetal

Dimensions :

(All Dimensions are in mm)

MODEL	SIZE	H	L	K	T	R	U	P	ØD	ØJ
RMFCV - 1	1/4"	68	61	26	25	17	9	7	4.3	21
RMFCV - 2	3/8"	68	61	25.5	25.5	---	---	---	---	21
RMFCV - 3	1/2"	83	84	31.5	31.5	23	13	9	4.3	25
RMFCV - 4	3/4"	93	105	38	38	29	16	13	5.3	35
RMFCV - 5	1"	125	117	50	50	38	24	10.5	6.5	45