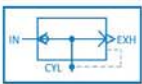


Quick Exhaust Valve

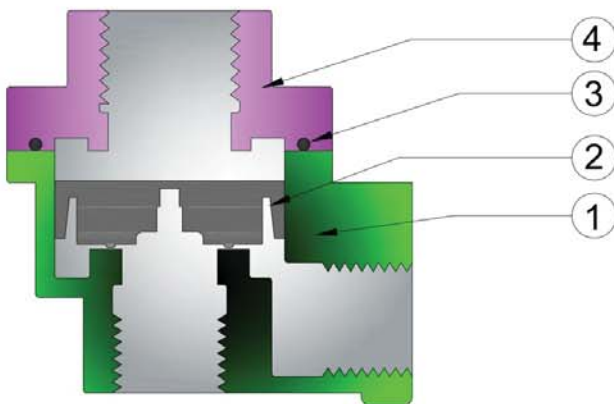


Features

- ▶▶ Light Weight & Compact Design
- ▶▶ Made of Aluminum Die Cast Body with Powder Coating
- ▶▶ Large internal air pressure exhaust air quickly for top speed operation.
- ▶▶ Long operating life
- ▶▶ can be fitted directly to cylinder port with suitable connector

Technical Specification

Model	AQEV - 1	AQEV - 2	AQEV - 3	AQEV - 4	AQEV - 5
Size	1/4"	3/8"	1/2"	3/4"	1"
Design	Diaphragm type,				
Pressure	10 Kg/cm ²				
Temperature	80 °C				
Leakage	Bubble Tight				
Media	Compressed Air (Filtered & Lubricated)				
Flow (NLPM) at 5 BAR (In to Cyl)	1150	1200	3500	7500	8500
Flow (NLPM) at 5 BAR (Cyl to Exh.)	1500	1550	4500	10500	11500
Weight (Kgs.)	0.080	0.200	0.180	0.550	0.540



No.	Part Name	Material
1	Body	Aluminum Pressure Die Cast
2	Diaphragm	NBR
3	'O' Ring	NBR
4	Top Cover	Aluminum Pressure Die Cast

Dimensions : (All Dimensions are in mm)

MODEL	SIZE	A	B	C	D
AQEV - 1	1/4"	46	43	38	10
AQEV - 2	3/8"	63	61.5	51	13
AQEV - 3	1/2"	63	61.5	51	13
AQEV - 4	3/4"	75	76	50	25
AQEV - 5	1"	75	76	50	25

