



Highly Efficient Microfine Filter (HPF5)



For coalescing fine water and oil aerosols ; removes solid particles to 0.01 micron (0.01 ppm w/w Maximum remaining oil content)

- Corrosion resistant inner and outer cores
- Two stage filtration
- First stage - multiple layers of fiber media and media screen remove large particles pre - filtering the air for the second stage.
- Second stage - multiple layers of bonded, blended fiber media for the coalescence
- Outer coated, closed cell foam sleeve

General Description

The model HPF5 is a complete set for compressed air filtration specially for those who have critical applications and using expensive Equipment / Instruments. This system will give complete, purified quality filtered air at the outlet. Usually compressed air system in the line is contaminated with abrasive hard particles like dust / rust / scale compressor lubricant (Mineral or Synthetic) condensed moisture droplets / acidic condensates / oil and hydrocarbon vapors. If these contaminants are not removed, it increase equipment maintenance costs and sometimes lead to equipment failure too. It reduce the life of equipment and damaging inner parts of equipment and spoils finished product batch. Its first stage removes moisture and drain in automatically through mechanical system, second stage removes dust / rust / particles and third stage removes other contaminants with less pressure drop through housing having large flow area. To prevent the life of filter element of the Micro Filter, we remove moisture and hard particles before air enters into it.

Features

- ▶ Chrome processed and epoxy powder coated from inside and outside for durability and corrosion resistance
- ▶ Ideal for critical applications and expensive Equipment / Instrument / Tools
- ▶ To be used for final purification after moisture and dust separation from the compressed air
- ▶ Removes compressor lubricant (mineral or system), acidic condensates, oil and hydrocarbon vapors with less pressure drop
- ▶ 0.01 micron replaceable filter element
- ▶ Peace of mind after Installation
- ▶ Complete, Purified, Quality Filtered air to use
- ▶ Very moderate rates
- ▶ Easy replaceable of filter element
- ▶ Reduces operating costs
- ▶ Piston type seal keeps unfiltered air from by-passing the filter element

Technical Specification

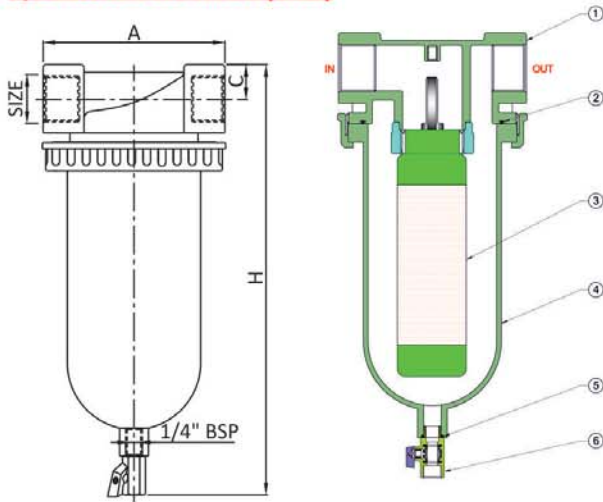
Model	HPF5
Size	1/4" to 2.1/2" Female Screwed (BSP) 3" to 10" Flanged (Dimension as per "D" Table & Flange Thickness as per "F" Table.
Flow rate of SCFM	21 to 12715
Filter Element	Synthetic Fiber & Polyurethane Foam
Filter Element Life	Maximum 1 Year / depending on the usage (Replaceable)
Efficiency	0.01 ppm w/w maximum remaining oil content
Pressure	0 to 10 Kg/cm ²
Temperature	Upto 60 °C
Maintenance	Replace spare filter element on clogging and pressure drop Spare filter element available
Spares	Compressed Air
Installation Preferred	At the end in each Equipments / Instrument / Tools after Moisture Separator and Pre - Filter
Minimum Distance Required	6 mtrs after Air Compressor / Air Receiver Tank
Drainage Provision	Manual Valve

Highly Efficient Mirofine Filter with 0.01 Micron Element



Model : HPF5

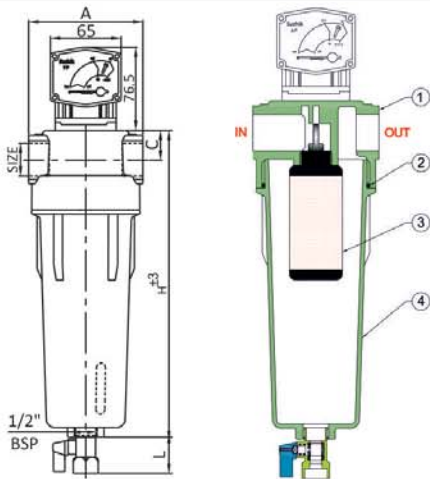
1/4" to 1" Screwed (BSP)



No.	Part Name	Material
1	Body	Aluminum Pressure Die Cast
2	'O' Ring	NBR
3	Filter Element	Synthetic Fiber & Polyurethane Foam
4	Bowl	Aluminum / C. S. Powder Coated
5	'O' Ring	NBR
6	Manual Drain Valve	Brass

Dimensions : (All Dimensions are in mm)

MODEL	SIZE	SCFM	A	H	C	Weight (Kg.) Approx.
HPF5 - 0.2	1/4"	21	84	198	18	0.805
HPF5 - 0.3	3/8"	21	84	198	18	0.830
HPF5 - 0.4	1/2"	21	84	198	18	0.800
HPF5 - 0.5	1/2"	42	84	300	18	2.280
HPF5 - 01	3/4"	42	120	325	23	2.580
HPF5 - 02	3/4"	85	120	325	23	2.625
HPF5 - 03	1"	85	120	325	23	2.600



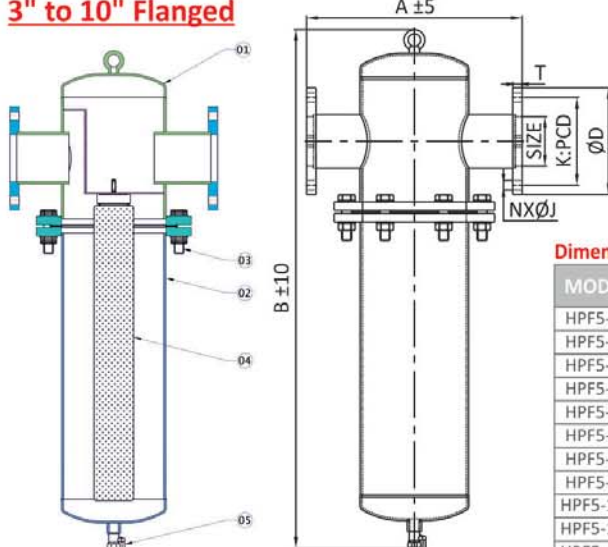
1.1/2" to 2.1/2" Screwed (BSP)

No.	Part Name	Material
1	Body	Aluminum Pressure Die Cast
2	'O' Ring	NBR
3	Filter Element	Synthetic Fiber & Polyurethane Foam
4	Bowl	Aluminum / C. S. Powder Coated

Dimensions : (All Dimensions are in mm)

MODEL	SIZE	SCFM	A	H	C	L	Weight (Kg.) Approx.
HPF5 - 4	1.1/2"	132	123	350	36	33	4.000
HPF5 - 5	1.1/2"	175	123	485	36	33	5.000
HPF5 - 7	1.1/2"	250	123	485	36	33	5.300
HPF5 - 10	2"	385	135	610	39	33	7.000
HPF5 - 13	2"	485	135	610	39	33	8.000
HPF5 - 18	2.1/2"	625	150	920	40	33	25.000
HPF5 - 20	2.1/2"	780	369	1240	40	33	60.000

3" to 10" Flanged



Dimensions :

(All Dimensions are in mm)

MODEL	SIZE	Capacity (at 7 Kg/cm ²) Nm ³ /min	Element Qty	A	B	ØD	T	ØJ	N	K;PCD	
HPF5-21	DN80	22	625	1	350	1080	165	15.87	18	4	127
HPF5-22		22	780	1	350	1180	184	15.87	18	4	146
HPF5-26		26	915	2	435	1020	184	15.87	18	4	146
HPF5-35	DN100	35	1250	2	435	1120	184	15.87	18	4	146
HPF5-45		45	1580	2	435	1220	216	19.05	18	4	177.8
HPF5-44	DN125	54	1950	3	520	1356	254	22.2	18	8	209.6
HPF5-66		66	2330	3	520	1356	254	22.2	18	8	209.6
HPF5-88		88	3100	4	545	1473	254	22.2	18	8	209.6
HPF5-110	DN150	110	3885	5	630	1473	280	22.2	18	8	235
HPF5-132		132	4670	6	728	1570	280	22.2	18	8	235
HPF5-150		154	5440	7	728	1570	337	25.4	18	8	292
HPF5-180	DN200	180	6360	10	728	1570	337	25.4	18	8	292
HPF5-200		200	7000	11	728	1570	337	25.4	18	8	292
HPF5-230		234	8565	13	728	1570	337	25.4	18	8	292
HPF5-250	DN250	252	8900	14	728	1570	337	25.4	18	8	292
HPF5-280		288	10170	16	922	1620	406	28.5	22	8	356
HPF5-300		310	10950	17	922	1720	406	28.5	22	8	356
HPF5-350		360	12715	20	926	1720	406	28.5	22	8	356

No.	Part Name	Material
1	Body Head	Carbon Steel
2	Body Shell	Carbon Steel
3	Fastener	Standard
4	Filter	Filter Element
5	Ball Valve	Brass

Note : Since, constant worldwide advancement in technology, We keep our rights reserved to make changes time to time in Technical Specification and Dimensions without prior notice.

